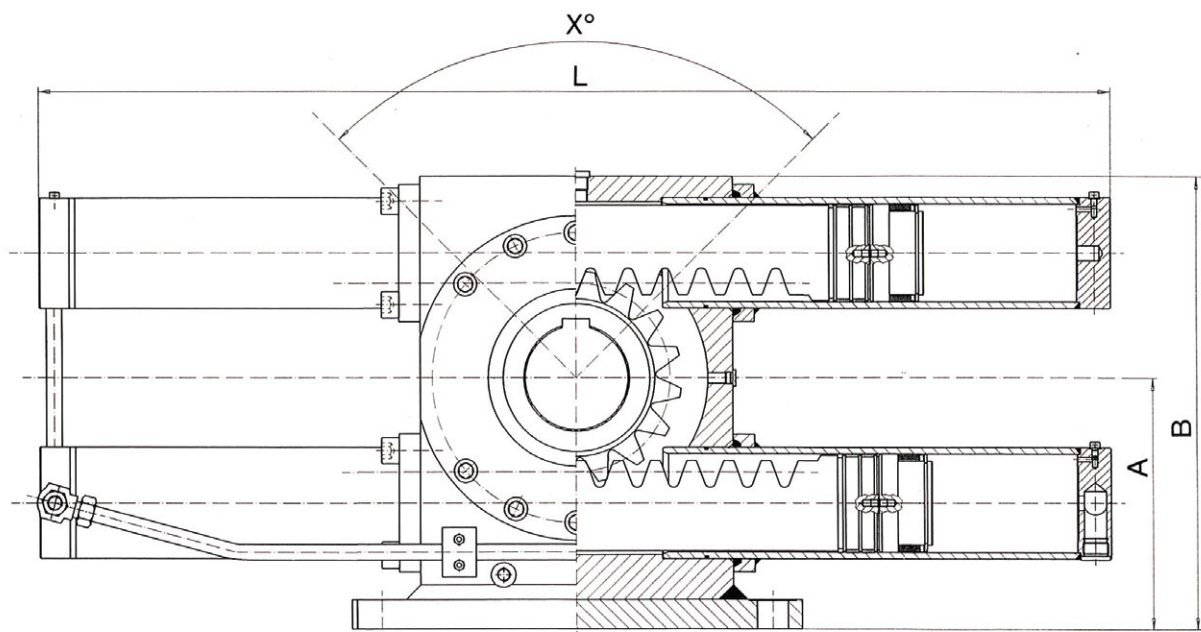


FIELLBERG TORQUE MOTOR

Fiellberg Oy supplies high-quality NTSLV Torque Motors for demanding industrial use. Hundreds of these motors have been sold in the past and they have served for almost three decades in multiple different applications.

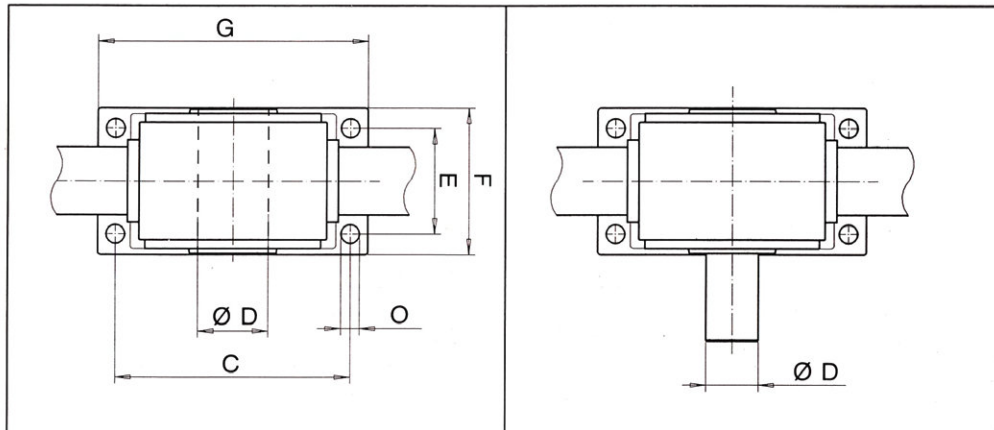


Fiellberg Oy, Martinkyläntie 54, 01720 VANTAA, Finland, Tel. +358 29 3008 980

Fiellberg Fluid Technologies (Dalian) Co., Ltd. No.9-19-2 Fuquan Road East,
Wolong Industrial Park, Dalian Development Zone, Dalian 116600, P.R.China,
Tel. +86 137 0009 4182

www.fiellberg.fi, info@fiellberg.fi





	A	B	C	D	E	F	G	O	L/90	L/180	Max. Torque @ 16 MPa	Theoretical Capacity
NTSVL-50	170	300	280	∅ 50	120	180	340	22	560	695	2638 Nm	0.26 dm ³ /90°
NTSVL-63	160	320		∅ 75		120			650	890	7600 Nm	0.75 dm ³ /90°
NTSVL-80	190	402		∅ 70		200	246		610	780	9007 Nm	0.88 dm ³ /90°
NTSVL-100	255	460	400	∅ 120	180	250	460	32	800	1090	24000 Nm	2.37 dm ³ /90°

Torque motors can also be delivered with single cylinder pair.

