

FMS, THE MARINE CYLINDER

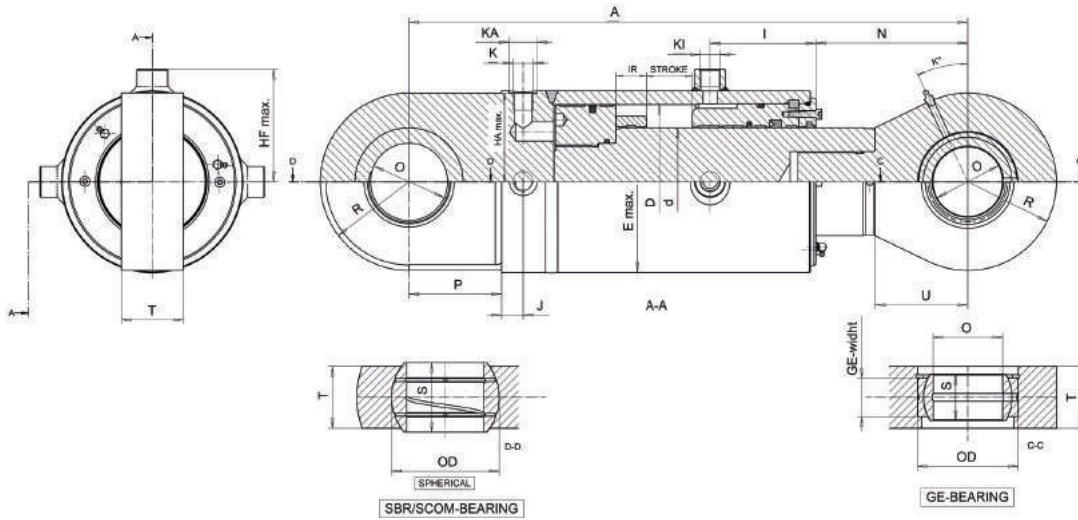
28 MPa Marine Cylinder series

Fiellberg's team has hundreds of years experience in making hydraulic cylinders for the harsh marine environment.

Now we have released our new 28 MPa Marine Cylinder series, where all our know how is combined to fulfill all of your cylinder needs for: Hatch Covers, RORO-Equipment, Deck Equipment, Deck Cranes, Harbour Equipment Etc. Ordering details on the next page.



Ordering Details



D	d	d	d	A	E	E	O	O	T	S	S	R	P	U	HA	HF	HF	K, KI	I	Recomm. Max
ø	Push	Nominal	Pull	Norm	Nominal	Max(ABS)	SBR/SCOM	GE		SBR/SCOM	GE				Nominal	Max				Stroke 28 Mpa Push
40	x	28	x	240	50	65	20	20	18	20	16	25	35	25	51	45	51	G3/8"	50	370
50	x	32	x	250	62	65	25	25	25	26	20	35	45	40	58	51	58	G3/8"	55	370
63	x	40	x	280	75	85	32	30	25	26	22	40	45	45	72	58	72	G1/2"	60	480
80	x	50	x	340	95	100	40	35	30	32	25	50	60	50	80	68	80	G1/2"	80	580
100	x	63	50	415	120	127	50	45	45	50	32	60	80	70	61	85	93	G1/2"	90	740
125	x	80	50	445	145	160	60	50	50	60	35	75	85	80	79	98	105	G1/2"	100	990
140	x	100	63	480	165	178	70	60	60	65	44	80	90	85	88	108	124	G1/2"	105	1390
160	x	125	70	520	185	203	80	70	60	70	49	95	100	100	100	118	137	G3/4"	110	1880
180	x	125	80	570	210	219	90	80	70	80	55	105	105	105	107	130	145	G3/4"	120	1640
200	160	140	80	625	235	245	100	90	80	90	60	115	120	120	120	143	158	G3/4"	120	2380
220	160	140	90	645	267	273	110	100	90	100	70	125	135	135	134	164	177	G1"	130	2260
250	180	160	110	722	298,5	305	130	120	100	110	85	145	150	150	150	180	193	G1"	160	2490
280	200	180	125	820	330	343	140	120	110	125	85	160	170	170	168	197	217	G1 1/4"	190	2750
300	220	200	125	880	355,6	368	150	140	130	145	90	170	175	175	181	210	229	G1 1/4"	205	3100
320	250	220	140	910	394	394	160	140	140	155	90	185	210	210	194	229	242	G1 1/4"	220	3710
360	280	220	160	1075	445	445	180	160	150	170	105	210	230	230	220	255	268	G1 1/4"	240	4140
400	300	250	180	1125	470	508	200	180	160	180	105	230	260	260	252	267	299	G1 1/4"	250	4420

PISTON ROD MATERIAL

S355 = Carbon Steel
 S355+SSS = Piston Rod Carbon Steel + Stainless steel sleeve
 EN1.4057 = Stainless steel Piston Rod Alternative
 EN1.4418 = Stainless steel Piston Rod Alternative
 EN1.4462 = Duplex Stainless steel Piston Rod Alternative

SPHERICAL BEARING TYPE

GEMA = GE-type carbon steel bearing requiring maintenance (greasing)
 GEMF = GE-type carbon steel maintenance free bearing
 GESS = GE-type stainless steel bearing, maintenance free
 SCOM = Composite type spherical bearing, small sizes maintenance free
 SBR = Tin Bronze spherical bearing, needs maintenance (greasing)

FMS - 220 / 140 - 1100 - S355+SSS - Cr25 - SBR - DIN

PISTON DIA D

ROD DIA D

STROKE

SERIE NAME

FMS = Standard Fiellberg Marine Cylinder
 FMS7 = Standard Fiellberg Marine Cylinder without welding
 FMSE = Fiellberg Marine Cylinder, not according to standard

PISTON ROD COATING

Cr25 = Hard Chrome coated 25 µm
 Cr60 = Hard Chrome coated 60 µm
 P = Polished only (for stainless steels)
 RP = Roll Polished only (for stainless steels)
 HF150 = Thermally sprayed Chrome Carbide 150 µm
 CER300 = Ceramic Coating 300 µm

GREASE NIPPLE TYPE DIN or JIS

For outlets. SAE 6000 psi and adapters for G" -> Rc" also available:

