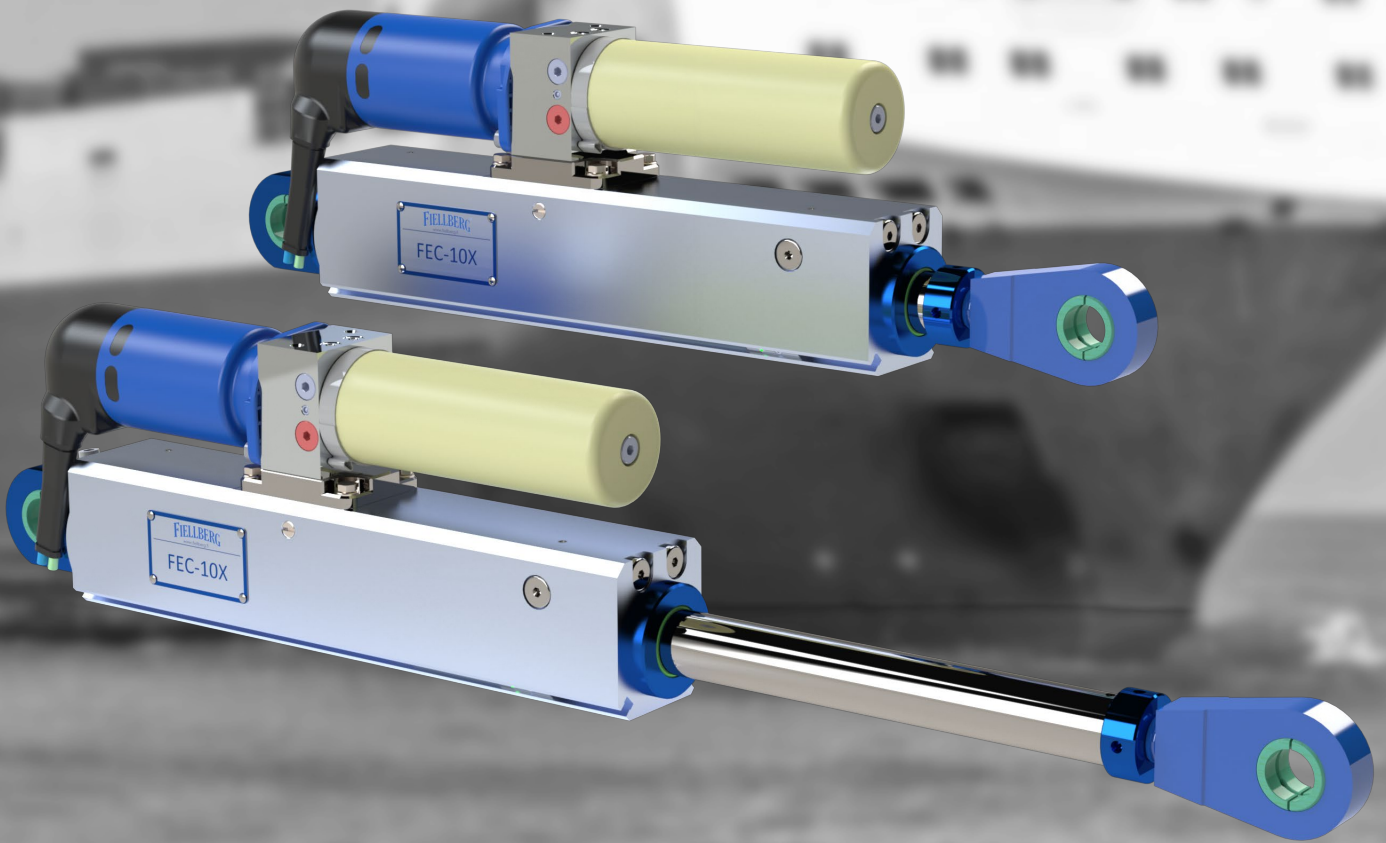


FIELLBERG®

FIELLBERG ELECTRIC CYLINDER FOR MARINE APPLICATIONS



Fiellberg Oy
Martinkyläntie 54, 01720 VANTAA, Finland.
Tel. +358 29 3008 980

Fiellberg Fluid Technologies (Dalian) Co., Ltd.
No.9-19-2 Fuquan Road East, Wolong Industrial Park,
Dalian Development Zone, Dalian 116600, P.R.China

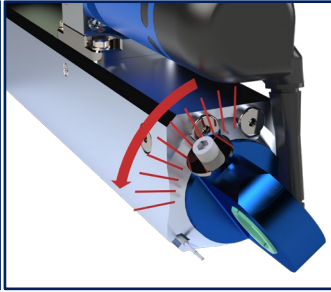
www.fiellberg.fi
info@fiellberg.fi



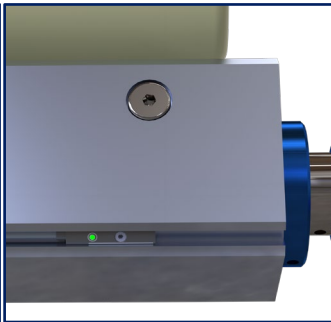
FIELLBERG®

DESCRIPTION & FEATURES

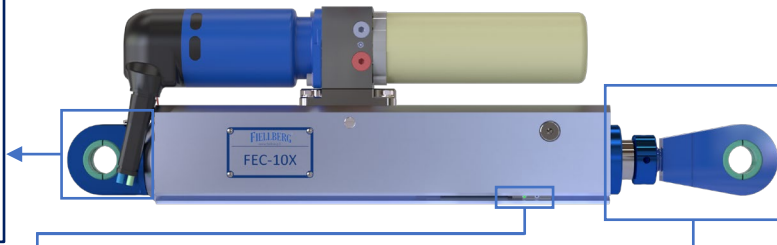
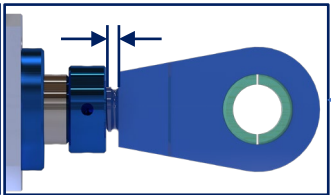
The FEC series actuators come with an adjustable aft end clevis capable of rotating up to 90 degrees on both sides. This allows easy manipulation of the actuator body to fit complicated space constraints.



The FEC series actuators are equipped with two proximity sensors that indicate the position of stroke. The location of the sensors is adjustable along the length of the actuator to provide easy adjustability to the suitable stroke end positions.



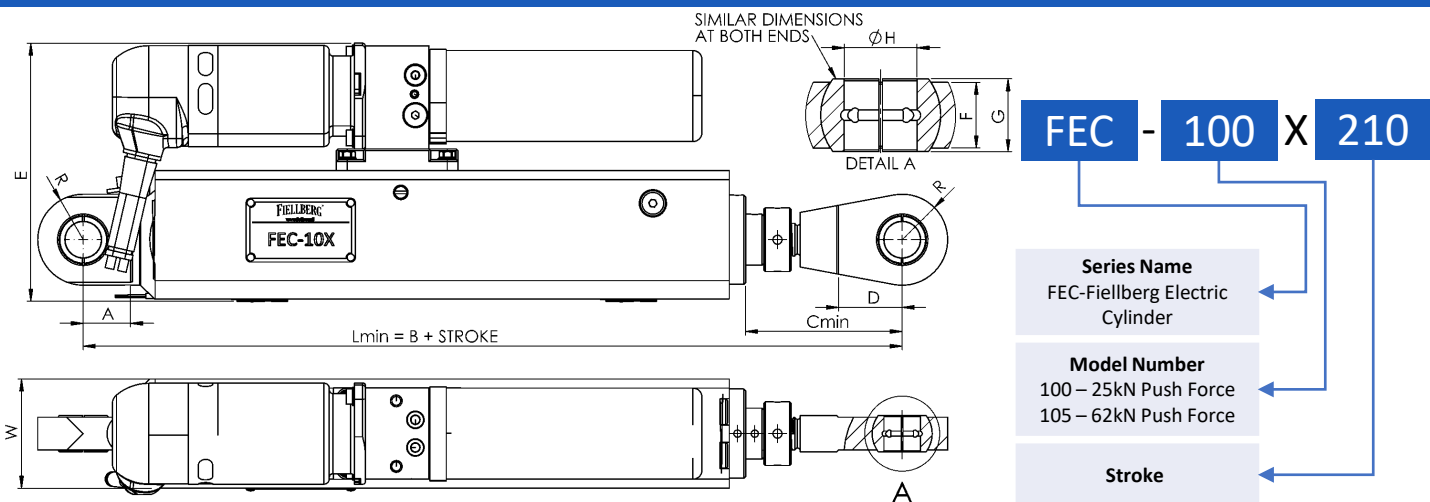
The actuator length can be adjusted up to 5 mm on both sides to accommodate easy installation.



Fiellberg Electric Cylinders (FEC) provide an effective alternative to traditional hydraulic cylinders used in RORO vessels. Traditional hydraulics cylinders require high pressure piping which are multiple kilometers long, hoses and massive pressure pumps. These are prone to leakage and power loss over long distances. The FEC series actuators rely only on electricity. The cylinders use 24 V DC

The FEC actuators are equipped with a locking mechanism which prevents any external forces from moving the piston rod. The actuators also have an emergency procedure which allows the manual operation of the system if needed.

ORDERING DETAILS



Model	Nominal Push Force kN	Nominal Pull Force kN	Standard Strokes mm	Maximum Stroke Push mm	A mm	B mm	Cmin mm	D mm	E mm	F mm	G mm	H mm	R mm	W mm
FEC-100	25 kN	13 kN	80, 100, 120, 210	400	26	240	86	35	139	18	20	20	25	60
FEC-105	62 kN	37 kN	110, 160, 210, 250	500	35	263	85	45	173	24	26	32	40	85